

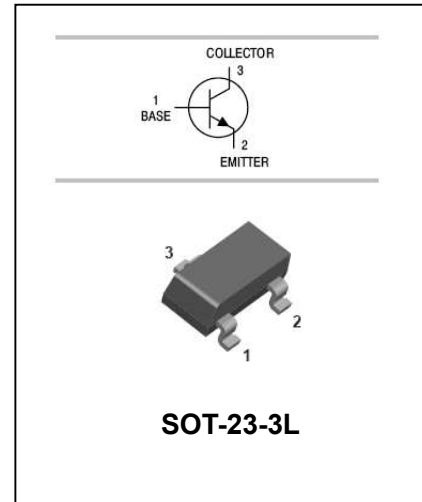
NPN General Purpose Amplifier BC817-16-3L/-25-3L/-40-3L

FEATURES

- For general AF application.
- Complementary PNP type available BC807-3L.
- High collector current, high current gain.
- Low collector-emitter saturation voltage.



Lead-free



ORDERING INFORMATION

Type No.	Marking	Package Code
BC817-16□-3L	6A	SOT-23-3L
BC817-25□-3L	6B•	SOT-23-3L
BC817-40□-3L	6C	SOT-23-3L

□: none is for Lead Free package;

“G” is for Halogen Free package.

MAXIMUM RATING @ Ta=25°C unless otherwise specified

Symbol	Parameter	Value	Unit
V _{CBO}	Collector-Base Voltage	50	V
V _{CEO}	Collector-Emitter Voltage	45	V
V _{EBO}	Emitter-Base Voltage	5	V
I _C	Collector Current -Continuous	500	mA
P _C	Collector Dissipation	300	mW
T _J , T _{stg}	Junction and Storage Temperature	-55 to +150	°C

NPN General Purpose Amplifier BC817-16-3L/-25-3L/-40-3L

ELECTRICAL CHARACTERISTICS @ Ta=25°C unless otherwise specified

Parameter	Symbol	Test conditions	MIN	TYP	MAX	UNIT	
Collector-base breakdown voltage	$V_{(BR)CBO}$	$I_C=10\mu A$ $I_E=0$	50	-	-	V	
Collector-emitter breakdown voltage	$V_{(BR)CEO}$	$I_C=10mA$ $I_B=0$	45	-	-	V	
Emitter-base breakdown voltage	$V_{(BR)EBO}$	$I_E=10\mu A$ $I_C=0$	5	-	-	V	
Collector cut-off current	I_{CBO}	$V_{CB}=25V$ $I_E=0$	-	-	0.1	μA	
Emitter cut-off current	I_{EBO}	$V_{EB}=4V$ $I_C=0$	-	-	0.1	μA	
DC current gain	BC817-16-3L BC817-25-3L BC817-40-3L	$V_{CE}=1V$ $I_C=100mA$	100	-	250	-	
DC current gain	BC817-16-3L BC817-25-3L BC817-40-3L		$V_{CE}=1V$ $I_C=300mA$	160	-	400	-
DC current gain	BC817-40-3L			250	-	600	-
DC current gain	BC817-16-3L BC817-25-3L BC817-40-3L	$V_{CE}=1V$ $I_C=300mA$	60	-	-	-	
DC current gain	BC817-40-3L		$V_{CE}=1V$ $I_C=500mA$	100	-	-	-
DC current gain	BC817-40-3L	$V_{CE}=1V$ $I_C=500mA$	170	-	-	-	
Collector-emitter saturation voltage	$V_{CE(sat)}$	$I_C=500mA$ $I_B=50mA$	-	-	0.7	V	
Base-emitter saturation voltage	$V_{BE(sat)}$	$I_C=500mA$ $I_B=50mA$	-	-	1.2	V	
Collector capacitance	C_{ob}	$V_{CB}=10V, f=1MHz$	-	6	-	pF	
Transition frequency	f_T	$V_{CE}=5V$ $I_C=50mA$ $f=100MHz$	-	170	-	MHz	

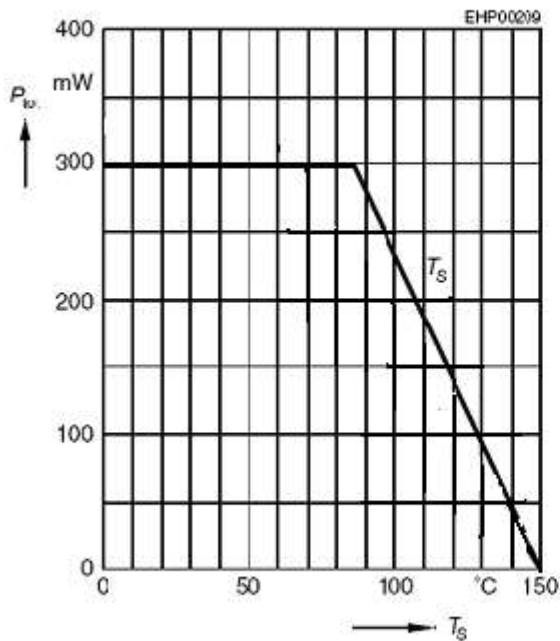
CLASSIFICATION OF $H_{FE(1)}$

Rank	BC817-16-3L	BC817-25-3L	BC817-40-3L
Range	100-250	160-400	250-600
Marking	6A	6B•	6C

NPN General Purpose Amplifier BC817-16-3L/-25-3L/-40-3L

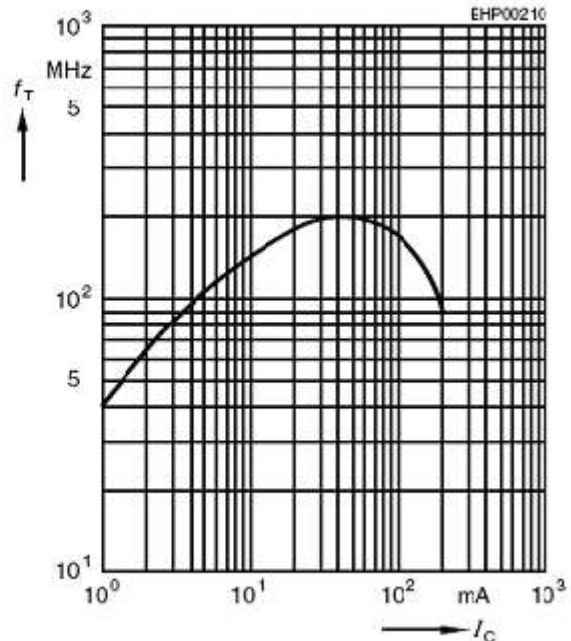
TYPICAL CHARACTERISTICS @ $T_a=25^\circ\text{C}$ unless otherwise specified

Total power dissipation $P_{\text{tot}} = f(T_S)$



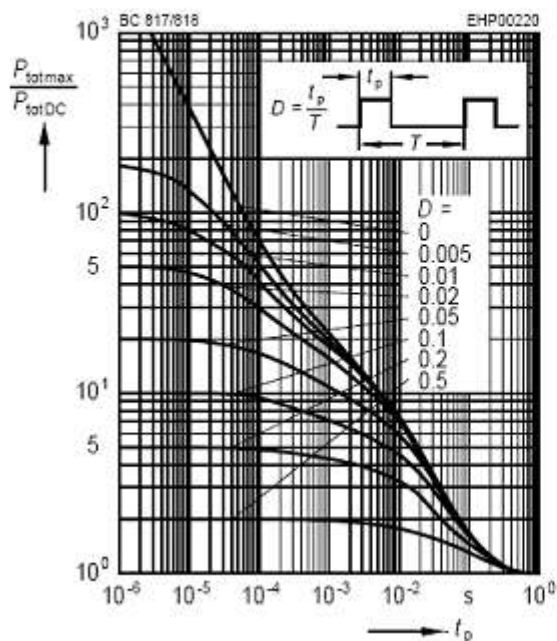
Transition frequency $f_T = f(I_C)$

$V_{\text{CE}} = 5\text{V}$



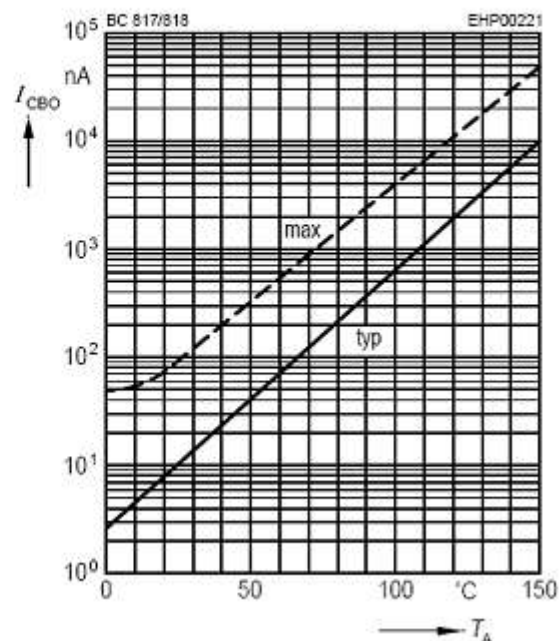
Permissible pulse load

$P_{\text{totmax}} / P_{\text{totDC}} = f(t_p)$



Collector cutoff current $I_{\text{CBO}} = f(T_A)$

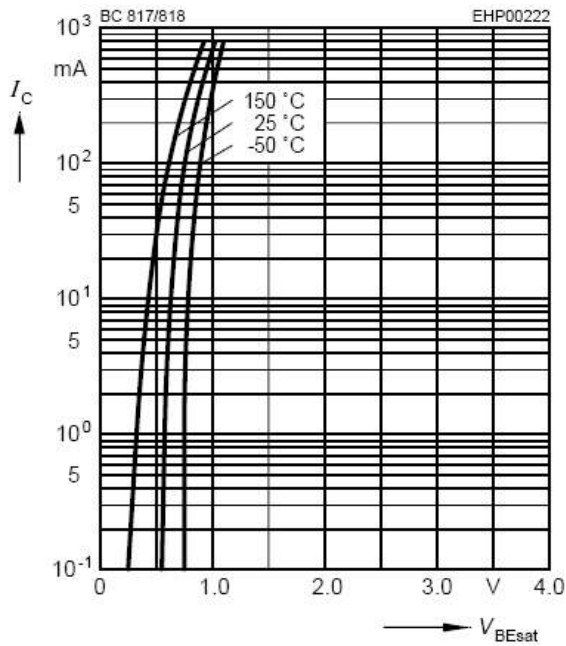
$V_{\text{CBO}} = 25\text{V}$



NPN General Purpose Amplifier BC817-16-3L/-25-3L/-40-3L

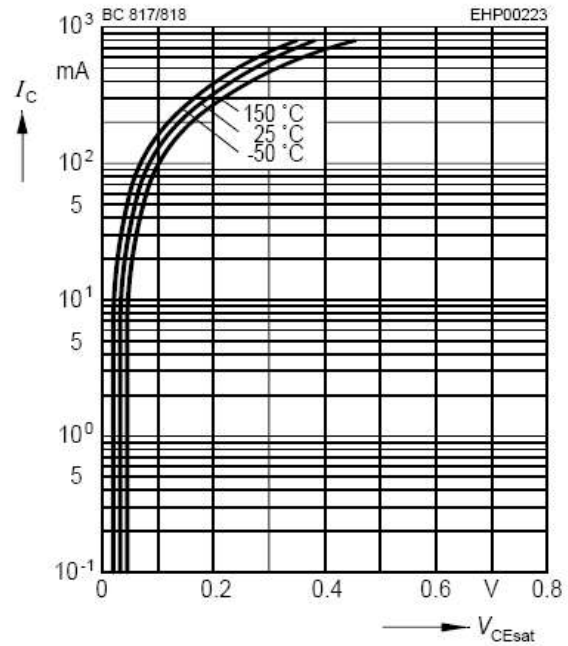
Base-emitter saturation voltage

$$I_C = f(V_{BEsat}), h_{FE} = 10$$



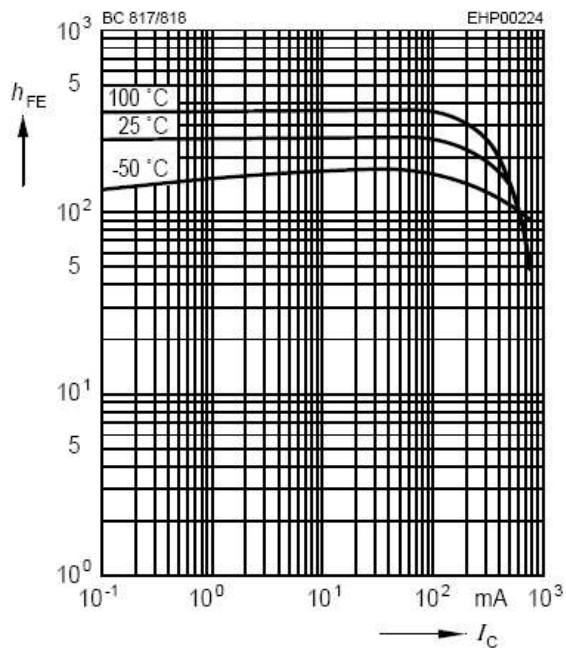
Collector-emitter saturation voltage

$$I_C = f(V_{CEsat}), h_{FE} = 10$$



DC current gain $h_{FE} = f(I_C)$

$$V_{CE} = 1V$$

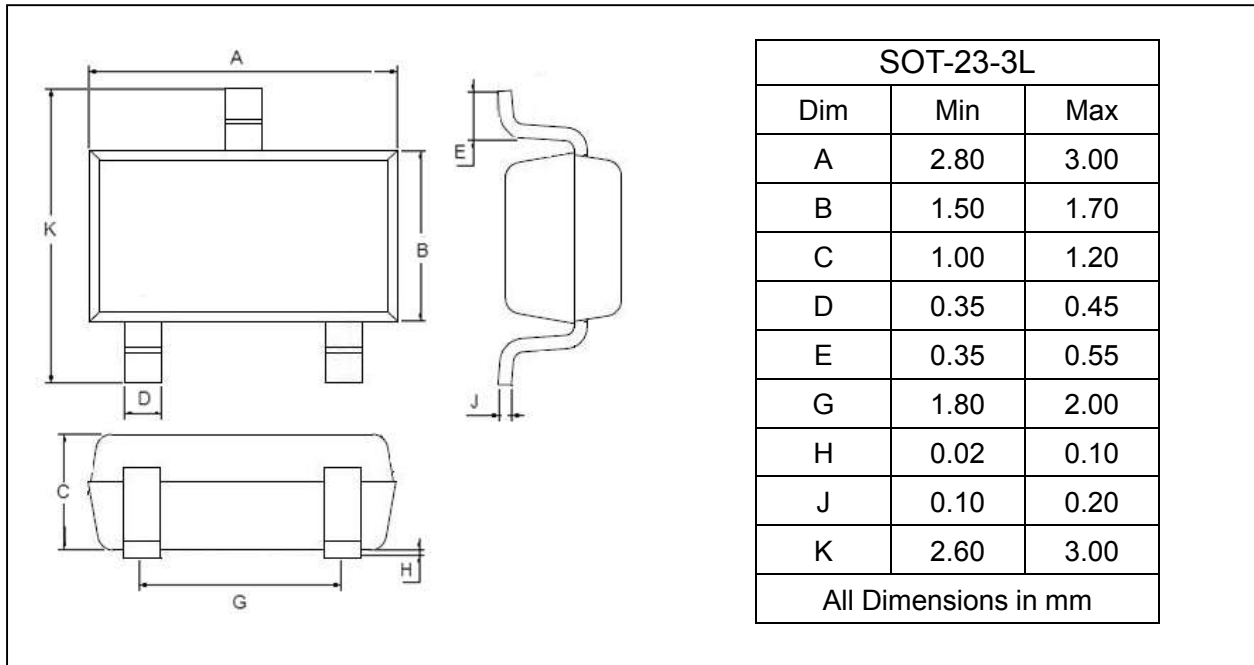


NPN General Purpose Amplifier BC817-16-3L/-25-3L/-40-3L

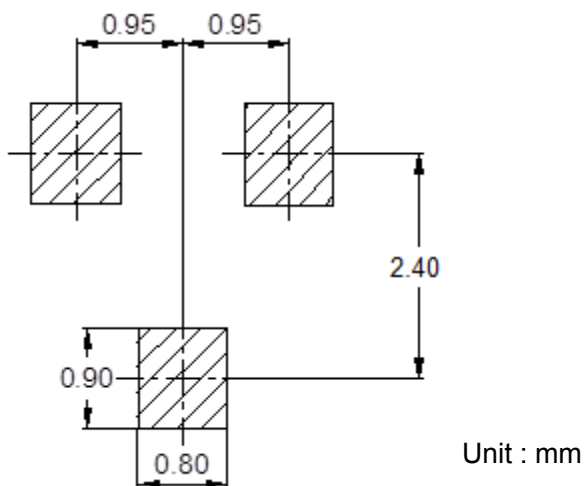
PACKAGE OUTLINE

Plastic surface mounted package

SOT-23-3L



SOLDERING FOOTPRINT



PACKAGE INFORMATION

Device	Package	Shipping
BC817-16-3L/-25-3L/-40-3L	SOT-23-3L	3000/Tape&Reel